

**Engine**

Nissan 2.49L Gas/LPG  
Mitsubishi 3.331L Diesel  
Cummins 2.8L Diesel

**Capacities**

2,000-3,500 kg

# CLG2020-35H/G LIUGONG

C-SERIES FORKLIFTS



 **PT Thubas Liftindo Perkasa**

**PT Thubas Liftindo Perkasa**

**Head Office**

Gang Wates Kp. Rawa Banteng No.102 Rt 003/01 Ds. Mekarwangi  
Kec. Cikarang, Barat, Kabupaten Bekasi, Jawa Barat 17530

**Branch Office**

Bypass Pandaan, Jl. Raya Surabaya – Malang No.8, Sukorejo,  
Karang Jati, Kec. Pandaan, Pasuruan, Jawa Timur 67156

Mobile : +62 878 4688 0298  
Email : cs.thubaslifindoperkasa.com  
Website : thubaslifindoperkasa.com

LG-PB-C-SERIES FL-122018-ENG-US

 **LIUGONG**

TOUGH WORLD. TOUGH EQUIPMENT.

LiuGong Machinery Europe B.V

P.J.Oudweg 4

1314 CH Almere

The Netherlands

T: +31 611151832

E: [overseas@liugong.com](mailto:overseas@liugong.com)

HQ: [www.liugong-europe.com](http://www.liugong-europe.com)

MH: [www.lgforklift.cn](http://www.lgforklift.cn)

Like and follow us:



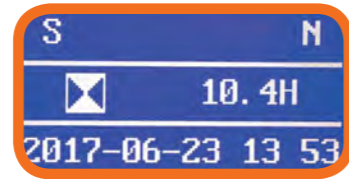
The LiuGong series of logos herein, including but not limited to word marks, device marks, letter of alphabet marks and combination marks, as the registered trademarks of Guangxi LiuGong Group Co., Ltd. are used by Guangxi LiuGong Machinery Co., Ltd. with legal permission, and shall not be used without permission. Specifications and designs are subject to change without notice. Illustrations and pictures may include optional equipment and may not include all standard equipment. Equipment and options varies by regional availability.

MODERN.ERGONOMIC.DURABLE.WELL SUPPORTED.

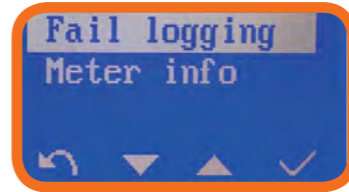
# MODERN

The LiuGong C-Series has the features and high performance that you've come to expect in a modern forklift. Our new aggressive styling reflects LiuGong's "DNA" going forward. These full featured machines will exceed your productivity expectations!

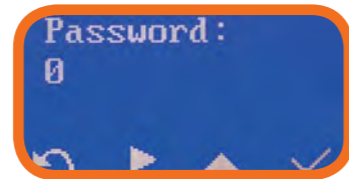
- HIGH PRODUCTIVITY
- INCREASED LIFT SPEEDS
- CANBUS ELECTRICAL SYSTEM
- ONBOARD DIAGNOSTICS
- MAINTENANCE REMINDERS
- LCD INSTRUMENT PANEL
- OPERATOR PASSCODE FEATURE



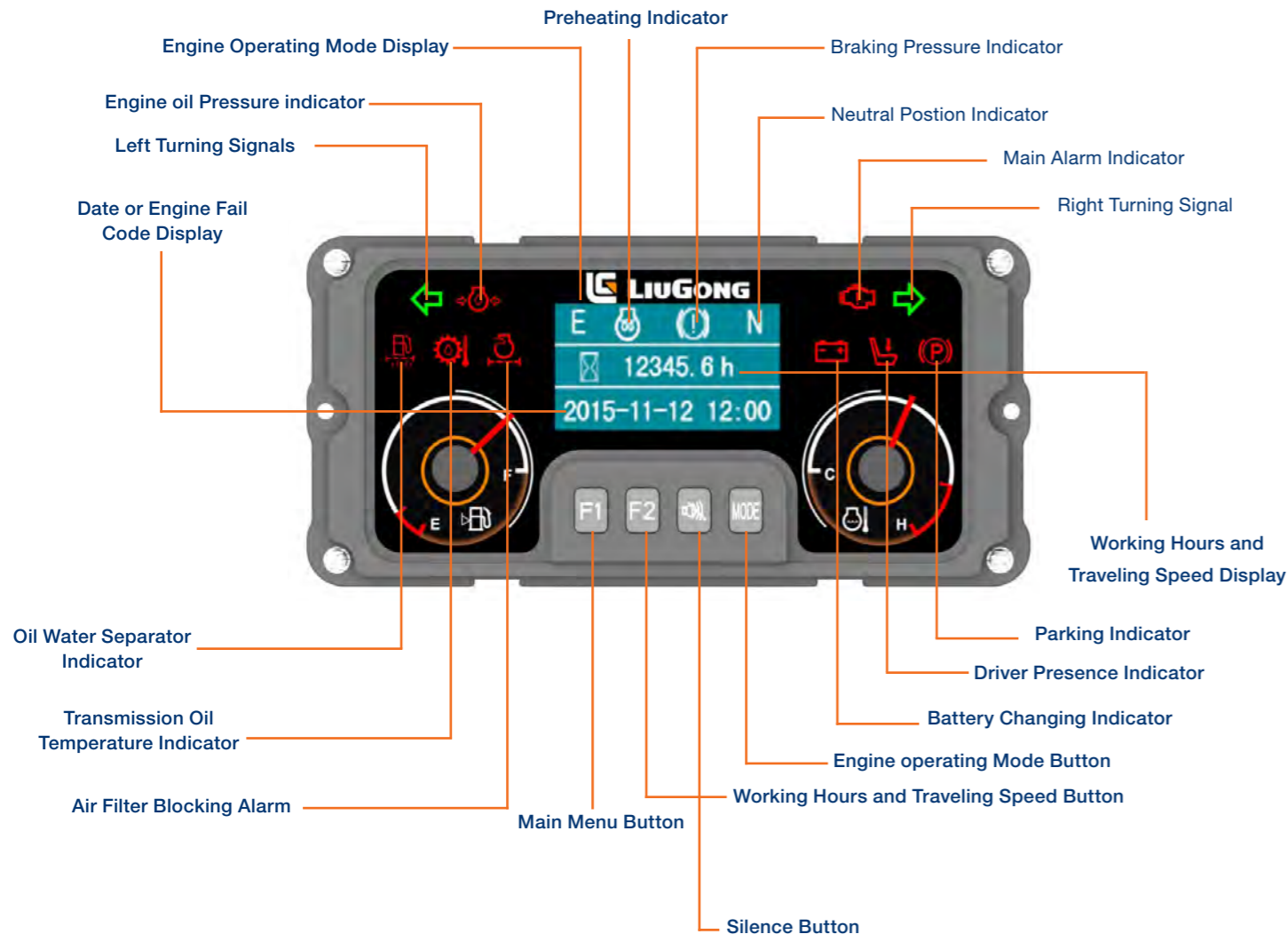
Normal Display



Fault Code

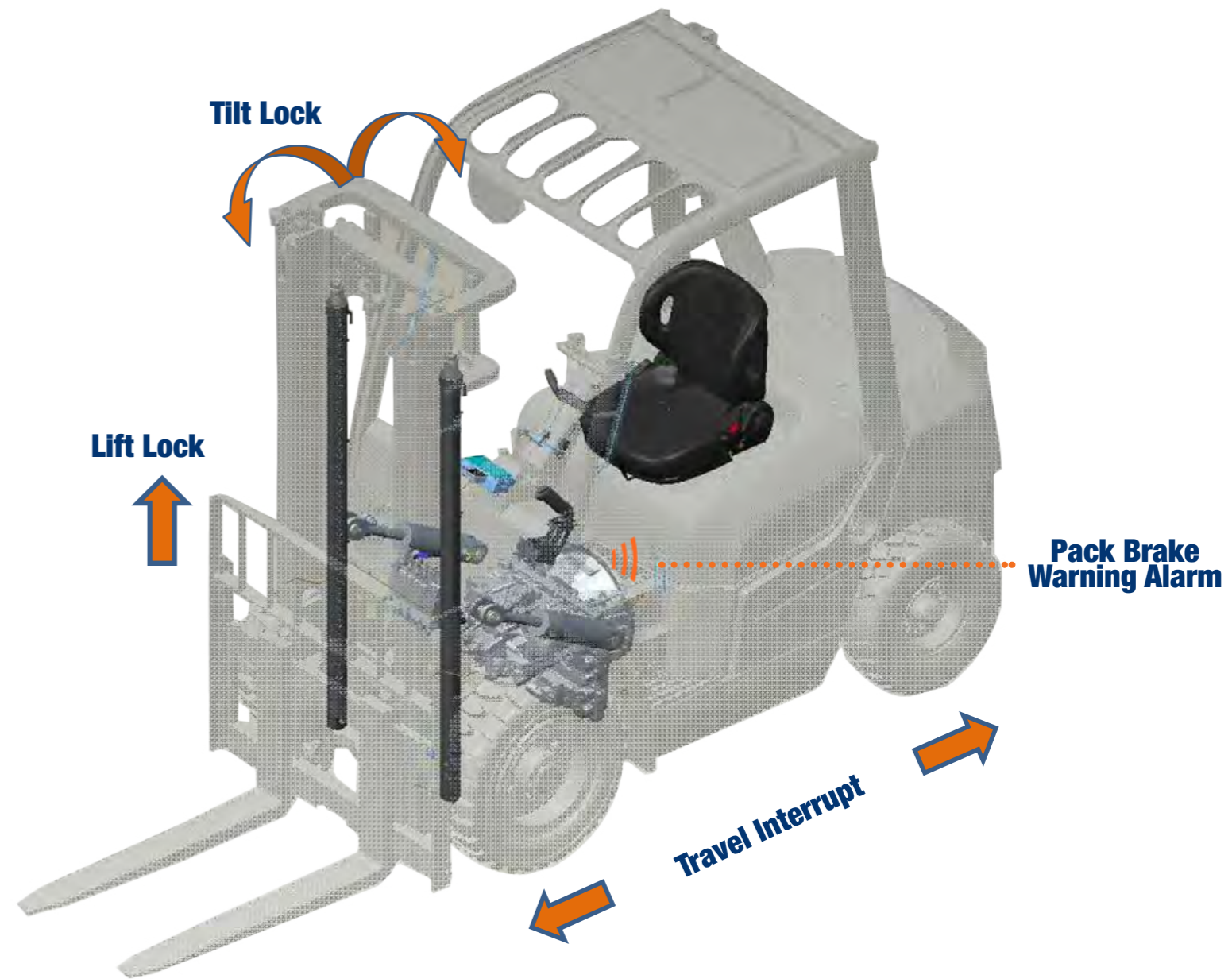


Password Login



## OPERATORS PRESENCE SENSING SYSTEM(OPS)

This system uses a switch sensor built into the operator's seat to detect the presence of the operator. In case the operator is not in the normal operating position, travel power is interrupted, and load handling operations are stopped to prevent unintentional movements. A warning alarm will sound if the operator leaves the machine without engaging the park brake.



# ERGONOMIC

LiuGong's customer driven design maximizes operator **comfort** and **productivity**.

our goal is to have the most comfortable operator work space in the industry.



## STEERING

Tilting steering column with auto-return to preferred position.  
Small diameter steering wheel for easy control.



## SEAT

Wide-bodies full suspension seat.



## OPERATION

Ergonomic layout for comfortable operation.  
Operation space increase 20%.



## PARKING

Parking brake is easy to reach, easy to apply and release.  
Reduced operating power by 15%.



## HANDLE

Easy to reach large front grab handles.



## STEPS

Wide and low access steps.



## REAR HANDLE

Rear handle with horn for safety.

## VISIBILITY

Excellent rear visibility.



## PEDALS

Lower 40% effort service brake pedals.



# DURABLE

The C-Series is **tough and durable**, using quality components and **innovative design**. The NISSAN 2.49 L Gas/LPG engine is highly efficient and easy to maintain. For the Diesel models, the Mitsubishi 3.331L engines and Cummins 2.8L engine have a proven track record for solid dependability.

## POWERFUL PERFORMANCE

- 2020G-2035G  
NISSAN K25 Gas/LPG engine 2.49L.
- 2020H-2035H  
Mitsubishi S4S diesel engine 3.331L.
- 2020H-2035H  
Cummins QSF2.8 diesel engine 2.8L.



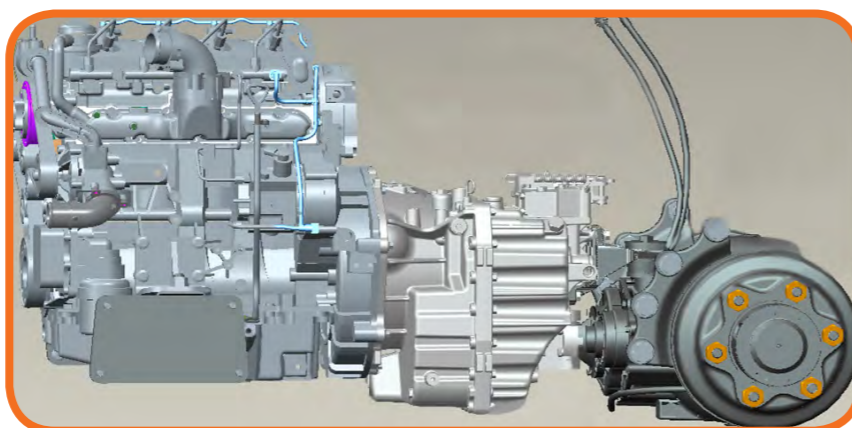
## 3-FLUID COOLINE SYSTEM

Designed for ambient temperatures up to 45°C to keep running when the going gets hot. Highly efficient and clog resistant keeps the key systems running cool. Electronic over temperature sensors protect your investment by reducing performance in the off chance of overheating.



## TRANSMISSION

These engines are coupled to our new transmission which features improved power efficiency and active cooling system. Increased heat dissipation by up to 30% and suitable for harsh conditions up to 45°C.



## HYDRAULIC SYSTEM

The new hydraulic system revolves around our new hydraulic control valve, which is designed to optimize the hydraulic performance. The new system achieves 25% faster maximum lift speed and 40% faster lift speed at engine idle as the hydraulic pump is now driven off the transmission PTO.



## IMPROVED BRAKE SYSTEM

Our new low effort brake system design minimizes exposure to contamination resulting in improved reliability. Larger surface brake pads provide enhanced performance.



## LED LIGHTS

LED flood lights and LED rear combination lights provide long life and improved lighting.



## TAPERED ROLLER BEARINGS

Tough and durable, able to withstand multi-axial loads applied to steer axle.



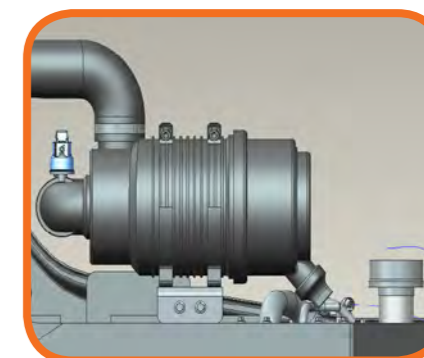
## PARK BRAKE DRIVE THROUGH PROTECTION

Electronic lock out of the transmission when the park brake is set to protect the transmission.



## AIR FILTER BLOCKING

Protects the engine by alerting the operator that the engine airfilter requires service.



# WELL SUPPORTED

LiuGong know that **easy serviceability** and **aftersales** support is critical for maintaining machine uptime. The new C-Series is designed for easy service access and quick diagnostics to ease maintenance and repair. Our factory trained dealer network, supported by LiuGong Regional Product Support Representatives, have the technical knowledge to keep your equipment operating at peak efficiency. These professionals are in turn, supported by Technical Product Specialists at LiuGong Machinery Europe B.V to support any issues which need additional attention.



## SERVICEABILITY

- No-tools air filter maintenance
- Complete access to cooling system
- Fuse box inspection at a glance
- Serviceability and daily checks are easy with the one step column fold up and engine cover which opens 85 degrees. All daily checks are within easy reach of the operator and the floor plate can be easily removed if necessary.
- 70% commonality of parts

## EASY TANK EXCHANGE

There is a great serviceability all around the C-Series machines. LPG models come standard with swing-out, fold down tank brackets making LP tank replacement simple and easy. The tank bracket locks in open and closed positions for safety.



# STANDARD CONFIGURATION

## POWER SYSTEM

- Cummins QSF2.8 diesel engine
- Floated automatic hydraulic transmission
- High strength drive axle
- Heavy duty steering axle
- Air filter with dual-elements
- Fuel system pre-filter
- Radiator
- Low exhaust

## HYDRAULIC SYSTEM

- 2-function hydraulic valve
- Hydrostatic steering
- Oil filter for intake and return
- Hydraulic oil radiator

## ELECTRIC SYSTEM

- 1 batteries
- LED front combination lights
- LED rear combination lights
- Buzzer for back off

## UNDERCARRIAGE

- High strength frame
- 1 piece counterweight
- Tow pin
- Air filled pneumatic drive tires
- Air filled pneumatic steer tires

## MAST

- 3.0M Standard 2-stage mast
- 1040mm Wide Class II carriage (CLG2020-25H/G)
- 1100mm Wide Class III carriage (CLG2030-35H/G)
- Load backrest
- 1200mm long Class II carriage (CLG2020-25H/G)
- 1200mm long Class III pallet forks (CLG2030-35H/G)

## OPERATOR STATION

- Overhead guard
- Locks for engine hood
- Full-suspension seat
- Ignition lock
- LCD display with OPS, air filter restriction alarms, fuel rate, water temperature, working hour, date or error code etc.
- Tilt steering column
- Inching, brake and accelerator pedals
- Hand parking
- Floor mat
- Rear handle with horn.

# OPTIONAL CONFIGURATION

## POWER SYSTEM

- Mitsubishi S4S diesel engine (CLG2020-35H)
- Nissan K25 engine (Gas/LPG) (CLG2020-35G)
- Elevated air pre-cleaner
- 2nd refined air filter
- Middle exhaust
- Vertical exhaust

## HYDRAULIC SYSTEM

- 3-function hydraulic valve
- 4-function hydraulic valve

## ELECTRIC SYSTEM

- Rear working light
- Amber warning light
- License plate light
- Rear warning blue light

## UNDERCARRIAGE

- Solid pneumatic drive tires
- Solid pneumatic steer tires

## MAST

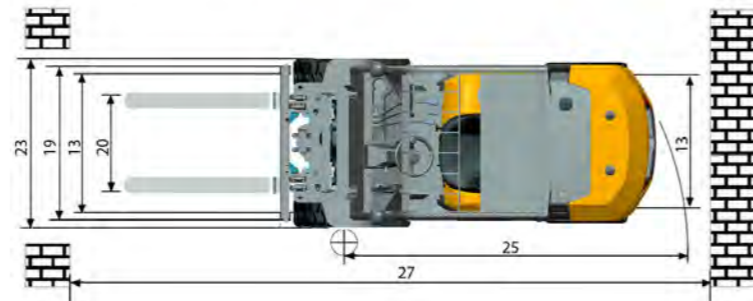
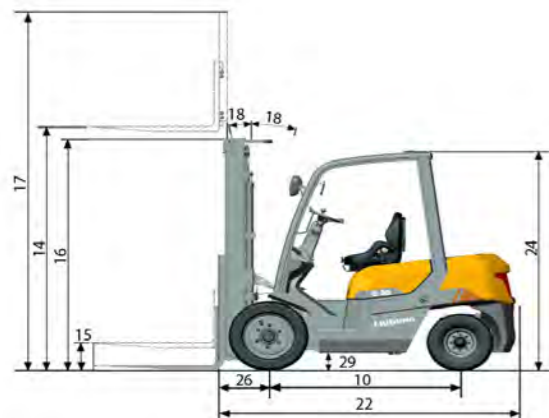
- Full free 2-stage mast
- Full free 3-stage mast
- Longer Class II or III pallet forks

## OPERATION STATION

- Enclosed cabin
- Heater for cabin
- Operator fan
- Fire extinguisher
- Protective cover for tilt cylinder
- Master key
- Grammer full-suspension vinyl seat

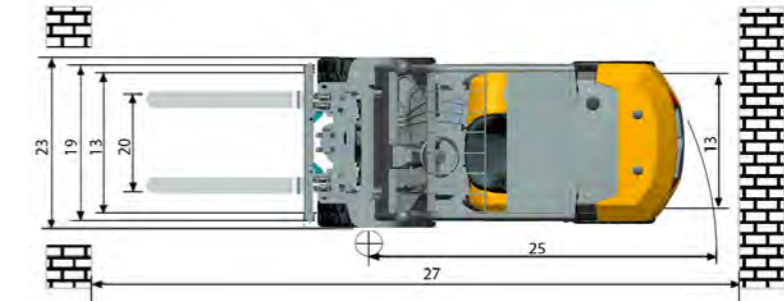
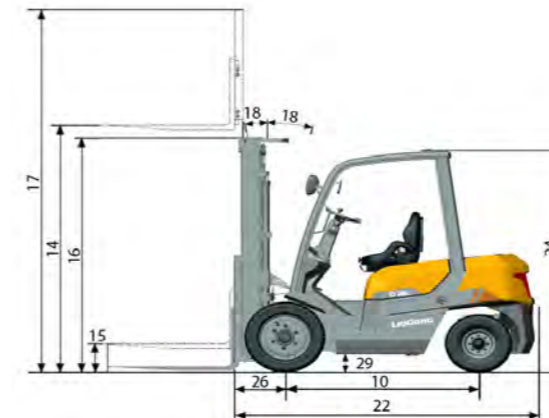
# SPECIFICATION

General	Model	1			CLG2020H	CLG2020G	
	Power Type	2			Diesel	Gas/LPG	
	Base Capacity	3	@rated load center	kg	2,000	2,000	
	Load Center	4		mm	500	500	
Weights	Service Weight	5	unloaded	kg	3,650	3,650	
	Axle Load	6	loaded / unloaded, front	kg	5,028 / 1,533	5,028 / 1,533	
	7	loaded / unloaded, rear	kg	622 / 2,117	622 / 2,117		
Tires	Tire Type	8			Pneumatic	Pneumatic	
	Wheels	9	front / rear		2 / 2	2 / 2	
	Wheelbase	10		mm	1,650	1,650	
	Tire Size	11	front		7.00-12-12PR	7.00-12-12PR	
12	rear		6.00-9-10PR	6.00-9-10PR			
Mast	Tread Width	13	front / rear		960 / 992	960 / 992	
	Max. Fork Height	14	with std 2-stage mast	mm	3,000	3,000	
	Free lift	15	with std 2-stage mast	mm	145	145	
	Height, Upright Lowered	16	with std 2-stage mast	mm	2,175	2,175	
	Height, Upright Extended	17	with std 2-stage mast	mm	4,088	4,088	
	Mast Tilt, Fwd/Back	18	with std 2-stage mast	deg	6° / 12°	6° / 12°	
	Carriage	19	width	mm	1,040	1,040	
	Fork Spread	20	minimum / maximum	mm	230 / 1,010	230 / 1,010	
	Fork Dimensions	21	T x W x L	mm	40x 100 x 1,200	40x 100 x 1,200	
	Chassis	Length to Fork Face	22	with std 2-stage mast	mm	2,529	2,529
Overall Width		23		mm	1,150	1,150	
Overhead Guard Height		24		mm	2,180	2,180	
Turning Radius		25	minimum outside	mm	2,280	2,280	
Fork Overhang		26	with std 2-stage mast	mm	462	462	
Right Angle Stack		27	add load length and clearance	mm	4,012	4,012	
Ground Clearance		28	minimum loaded	mm	120	120	
29		center of wheelbase	mm	145	145		
Performance		Travel Speed	30	loaded / unloaded	km/h	18 / 18.5	18 / 18.5
	Lift Speed	31	loaded / unloaded	m/s	0.70 / 0.73	0.64 / 0.73	
	Lower Speed	32	loaded / unloaded	m/s	0.50 / 0.40	0.50 / 0.40	
	Max. Drawbar Pull	33	loaded	kg	1,800	1,800	
	Max. Gradeability	34	loaded / unloaded	%	20 / 31	20 / 31	
Systems	Brakes	35	service		Foot / Hyd	Foot / Hyd	
		36	parking		Hand / Mech	Hand / Mech	
		37	manufacturer		Cummins	Mitsubishi	
	Engine	38	model		QSF2.8	S4S	K25
		39	emission compliance		EU Stage IIIA	EU Stage IIIA	N/A
		40	cylinders		4	4	4
		41	displacement	liters	2.80	3.331	2.49
		42	rated power	kW/rpm	36 / 2,500	35.3 / 2,250	37.4 / 2,300
		43	Max. torque	N · m/rpm	186 / 1,500	177 / 1,700	176.5 / 1,600



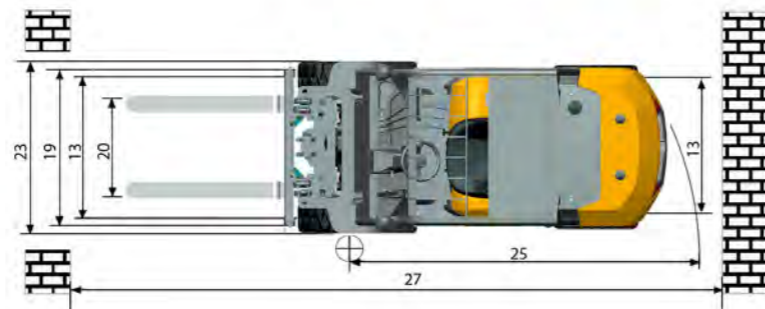
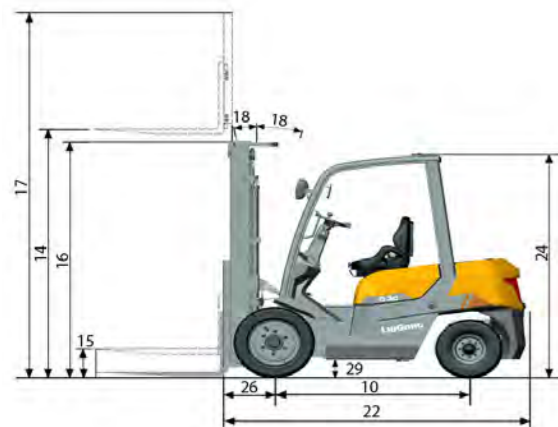
# SPECIFICATION

General	Model	1			CLG2025H	CLG2025G	
	Power Type	2			Diesel	Gas/LPG	
	Base Capacity	3	@rated load center	kg	2,500	2,500	
	Load Center	4		mm	500	500	
Weights	Service Weight	5	unloaded	kg	3,850	3,850	
	Axle Load	6	loaded / unloaded, front	kg	5,620 / 1,578	5,620 / 1,578	
	7	loaded / unloaded, rear	kg	730 / 2,272	730 / 2,272		
Tires	Tire Type	8			Pneumatic	Pneumatic	
	Wheels	9	front / rear		2 / 2	2 / 2	
	Wheelbase	10		mm	1,650	1,650	
	Tire Size	11	front		7.00-12-12PR	7.00-12-12PR	
12	rear		6.00-9-10PR	6.00-9-10PR			
Mast	Tread Width	13	front / rear		960 / 992	960 / 992	
	Max. Fork Height	14	with std 2-stage mast	mm	3,000	3,000	
	Free lift	15	with std 2-stage mast	mm	145	145	
	Height, Upright Lowered	16	with std 2-stage mast	mm	2,175	2,175	
	Height, Upright Extended	17	with std 2-stage mast	mm	4,088	4,088	
	Mast Tilt, Fwd/Back	18	with std 2-stage mast	deg	6° / 12°	6° / 12°	
	Carriage	19	width	mm	1,040	1,040	
	Fork Spread	20	minimum / maximum	mm	230 / 1,010	230 / 1,010	
	Fork Dimensions	21	T x W x L	mm	45x 100 x 1,200	45x 100 x 1,200	
	Chassis	Length to Fork Face	22	with std 2-stage mast	mm	2,534	2,534
Overall Width		23		mm	1,150	1,150	
Overhead Guard Height		24		mm	2,180	2,180	
Turning Radius		25	minimum outside	mm	2,280	2,280	
Fork Overhang		26	with std 2-stage mast	mm	467	467	
Right Angle Stack		27	add load length and clearance	mm	4,017	4,017	
Ground Clearance		28	minimum loaded	mm	120	120	
29		center of wheelbase	mm	145	145		
Performance		Travel Speed	30	loaded / unloaded	km/h	18 / 18.5	18 / 18.5
	Lift Speed	31	loaded / unloaded	m/s	0.70 / 0.73	0.64 / 0.73	
	Lower Speed	32	loaded / unloaded	m/s	0.50 / 0.40	0.50 / 0.40	
	Max. Drawbar Pull	33	loaded	kg	1,800	1,800	
	Max. Gradeability	34	loaded / unloaded	%	20 / 31	20 / 31	
Systems	Brakes	35	service		Foot / Hyd	Foot / Hyd	
		36	parking		Hand / Mech	Hand / Mech	
		37	manufacturer		Cummins	Mitsubishi	
	Engine	38	model		QSF2.8	S4S	K25
		39	emission compliance		EU Stage IIIA	EU Stage IIIA	N/A
		40	cylinders		4	4	4
		41	displacement	liters	2.80	3.331	2.49
		42	rated power	kW/rpm	36 / 2,500	35.3 / 2,250	37.4 / 2,300
		43	Max. torque	N · m/rpm	186 / 1,500	177 / 1,700	176.5 / 1,600



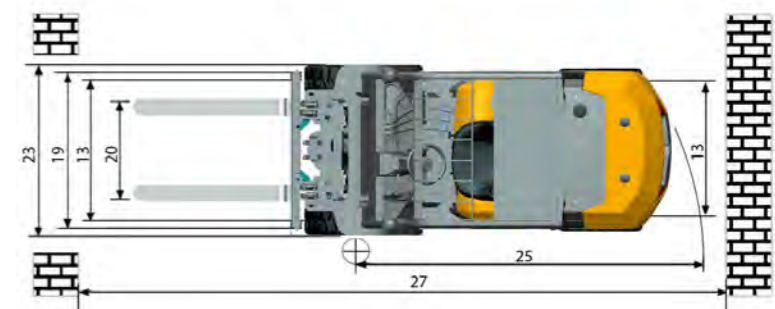
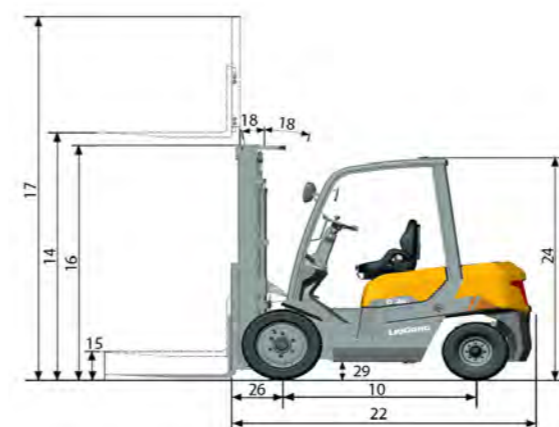
# SPECIFICATION

General	Model	1			CLG2030H	CLG2030G	
	Power Type	2			Diesel	Gas/LPG	
	Base Capacity	3	@rated load center	kg	3,000	3,000	
	Load Center	4		mm	500	500	
Weights	Service Weight	5	unloaded	kg	4,480	4,480	
	Axle Load	6	loaded / unloaded, front	kg	6,582 / 1,837	6,582 / 1,837	
	7	loaded / unloaded, rear	kg	898 / 2,643	898 / 2,643		
Tires	Tire Type	8			Pneumatic	Pneumatic	
	Wheels	9	front / rear		2 / 2	2 / 2	
	Wheelbase	10		mm	1,700	1,700	
	Tire Size	11	front		28x9-15-14PR	28x9-15-14PR	
	12	rear		6.50-10-10PR	6.50-10-10PR		
Mast	Tread Width	13	front / rear		1,000 / 992	1,000 / 992	
	Max. Fork Height	14	with std 2-stage mast	mm	3,000	3,000	
	Free lift	15	with std 2-stage mast	mm	145	145	
	Height, Upright Lowered	16	with std 2-stage mast	mm	2,195	2,195	
	Height, Upright Extended	17	with std 2-stage mast	mm	4,088	4,088	
	Mast Tilt, Fwd/Back	18	with std 2-stage mast	deg	6° / 12°	6° / 12°	
	Carriage	19	width	mm	1,100	1,100	
	Fork Spread	20	minimum / maximum	mm	272 / 1,072	272 / 1,072	
	Fork Dimensions	21	T x W x L	mm	45 x 122 x 1,200	45 x 122 x 1,200	
	Chassis	Length to Fork Face	22	with std 2-stage mast	mm	2,672	2,672
Overall Width		23		mm	1,225	1,225	
Overhead Guard Height		24		mm	2,200	2,200	
Turning Radius		25	minimum outside	mm	2,400	2,400	
Fork Overhang		26	with std 2-stage mast	mm	477	477	
Right Angle Stack		27	add load length and clearance	mm	4,147	4,147	
Ground Clearance		28	minimum loaded	mm	140	140	
29		center of wheelbase	mm	165	165		
Performance		Travel Speed	30	loaded / unloaded	km/h	18.5 / 19	18.5 / 19
		Lift Speed	31	loaded / unloaded	m/s	0.58 / 0.59	0.53 / 0.59
	Lower Speed	32	loaded / unloaded	m/s	0.50 / 0.40	0.50 / 0.40	
	Max. Drawbar Pull	33	loaded	kg	1,900	1,900	
	Max. Gradeability	34	loaded / unloaded	%	20 / 31	20 / 31	
Systems	Brakes	35	service		Foot / Hyd	Foot / Hyd	
		36	parking		Hand / Mech	Hand / Mech	
		37	manufacturer		Cummins	Mitsubishi	
		38	model		QSJ2.8	S4S	
	Engine	39	emission compliance		EU Stage IIIA	EU Stage IIIA	
		40	cylinders		4	4	
		41	displacement	liters	2.80	3.331	
		42	rated power	kW/rpm	36 / 2,500	35.3 / 2,250	
		43	Max. torque	N · m/rpm	186 / 1,500	177 / 1,700	
					176.5 / 1,600		



# SPECIFICATION

General	Model	1			CLG2035H	CLG2035G	
	Power Type	2			Diesel	Gas/LPG	
	Base Capacity	3	@rated load center	kg	3,500	3,500	
	Load Center	4		mm	500	500	
Weights	Service Weight	5	unloaded	kg	4,800	4,800	
	Axle Load	6	loaded / unloaded, front	kg	7,304 / 1,920	7,304 / 1,920	
	7	loaded / unloaded, rear	kg	996 / 2,880	996 / 2,880		
Tires	Tire Type	8			Pneumatic	Pneumatic	
	Wheels	9	front / rear		2 / 2	2 / 2	
	Wheelbase	10		mm	1,700	1,700	
	Tire Size	11	front		28x9-15-14PR	28x9-15-14PR	
	12	rear		6.50-10-10PR	6.50-10-10PR		
Mast	Tread Width	13	front / rear		1,000 / 992	1,000 / 992	
	Max. Fork Height	14	with std 2-stage mast	mm	3,000	3,000	
	Free lift	15	with std 2-stage mast	mm	145	145	
	Height, Upright Lowered	16	with std 2-stage mast	mm	2,195	2,195	
	Height, Upright Extended	17	with std 2-stage mast	mm	4,088	4,088	
	Mast Tilt, Fwd/Back	18	with std 2-stage mast	deg	6° / 12°	6° / 12°	
	Carriage	19	width	mm	1,100	1,100	
	Fork Spread	20	minimum / maximum	mm	272 / 1,072	272 / 1,072	
	Fork Dimensions	21	T x W x L	mm	50x 122 x 1,200	50x 122 x 1,200	
	Chassis	Length to Fork Face	22	with std 2-stage mast	mm	2,710	2,710
Overall Width		23		mm	1,225	1,225	
Overhead Guard Height		24		mm	2,200	2,200	
Turning Radius		25	minimum outside	mm	2,435	2,435	
Fork Overhang		26	with std 2-stage mast	mm	477	477	
Right Angle Stack		27	add load length and clearance	mm	4,192	4,192	
Ground Clearance		28	minimum loaded	mm	140	140	
29		center of wheelbase	mm	165	165		
Performance		Travel Speed	30	loaded / unloaded	km/h	18.5 / 19	18.5 / 19
		Lift Speed	31	loaded / unloaded	m/s	0.58 / 0.59	0.53 / 0.59
	Lower Speed	32	loaded / unloaded	m/s	0.50 / 0.40	0.50 / 0.40	
	Max. Drawbar Pull	33	loaded	kg	1,900	1,900	
	Max. Gradeability	34	loaded / unloaded	%	20 / 31	20 / 31	
Systems	Brakes	35	service		Foot / Hyd	Foot / Hyd	
		36	parking		Hand / Mech	Hand / Mech	
		37	manufacturer		Cummins	Mitsubishi	
		38	model		QSJ2.8	S4S	
	Engine	39	emission compliance		EU Stage IIIA	EU Stage IIIA	
		40	cylinders		4	4	
		41	displacement	liters	2.80	3.331	
		42	rated power	kW/rpm	36 / 2,500	35.3 / 2,250	
		43	Max. torque	N · m/rpm	186 / 1,500	177 / 1,700	
					176.5 / 1,600		

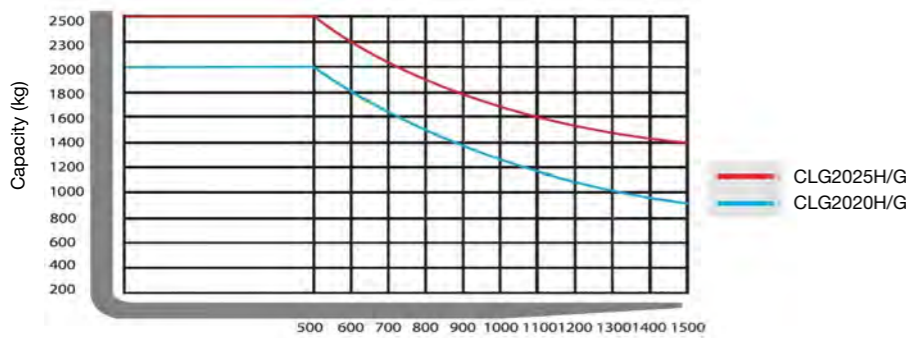


# CAPACITY

Mast type	Maximum Fork Height (MFH)	Mast Overall Lowered Height (OAL)	Freee Lift with Load Backrest	Mast Tilt Angle (F/B)	Rated Load Capacity				Total Weight with Standard Forks	
					With Standard Forks		With Sideshifter		Total Weight with Standard Forks	
					2020H/G	2025H/G	2020H/G	2025H/G	2020H/G	2025H/G
	mm	mm	mm	degree	kg @ (500mm LC)		kg @ (500mm LC)		Kg	
Standard 2-Stage	3000	2175	140	6 / 12	2000	2500	2000	2200	3650	3850
	3500	2425	140	6 / 12	1890	2390	1850	2100	3716	3916
	4000	2725	140	6 / 12	1890	2390	1700	2100	3783	3983
	4500	2975	140	6 / 6	1800	2300	1630	1900	3849	4049
	5000	3205	140	3 / 6	1600	2000	1550	1400	3915	4115
	5500	3725	140	3 / 6	1500	1700	1350	1100	3982	4182
	6000	3975	140	3 / 6	1350	1500	1200	800	4048	4248

Mast type	Maximum Fork Height (MFH)	Mast Overall Lowered Height (OAL)	Freee Lift with Load Backrest*	Mast Tilt Angle (F/B)	Rated Load Capacity				Total Weight with Standard Forks	
					With Standard Forks		With Sideshifter		Total Weight with Standard Forks	
					2020H/G	2025H/G	2020H/G	2025H/G	2020H/G	2025H/G
	mm	mm	mm	degree	kg @ (500mm LC)		kg @ (500mm LC)		Kg	
Full Free 2-Stage	3000	2175	1087	6 / 12	2000	2500	2000	2500	3700	3900

Mast type	Maximum Fork Height (MFH)	Mast Overall Lowered Height (OAL)	Freee Lift with Load Backrest*	Mast Tilt Angle (F/B)	Rated Load Capacity				Total Weight with Standard Forks	
					With Standard Forks		With Sideshifter		Total Weight with Standard Forks	
					2020H/G	2025H/G	2020H/G	2025H/G	2020H/G	2025H/G
	mm	mm	mm	degree	kg @ (500mm LC)		kg @ (500mm LC)		Kg	
Full Free 3-Stage	4000	2010	922	6 / 6	1890	2390	1700	2100	3880	4080
	4500	2095	1007	6 / 6	1800	2390	1630	2100	3942	4142
	4800	2165	1077	6 / 6	1720	2200	1600	2060	3970	4170
	5000	2265	1177	3 / 6	1600	2000	1350	1400	4005	4205
	6000	2905	1817	3 / 6	1350	1500	1200	800	4129	4329
	7000	3585	2497	3 / 6	800	1000	700	700	4252	4454



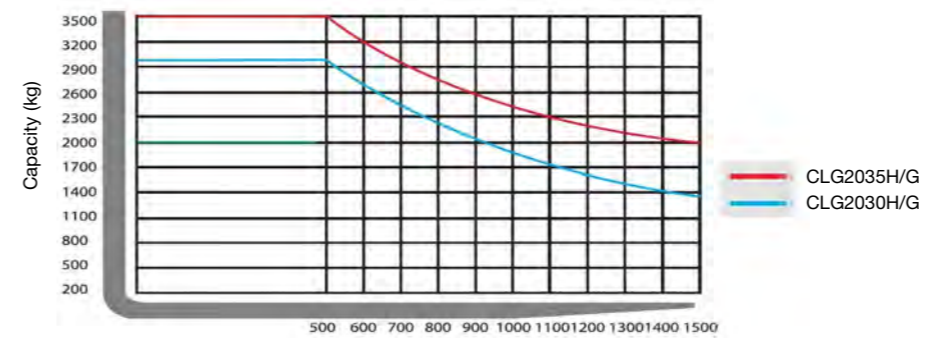
**Note:**  
Vertical axle stands for load capacity while horizontal axle stands for load center, Load center is the distance counted from the front of the fork. The base point of the standard load is the center point of the cubic with the same 1000mm dimension in length, width and height. The load capacity should be down if mast tilt forward or using non-standard forks of loading goods with extra width. Please realize the different load capacity between different load centers according to load chart.

# CAPACITY

Mast type	Maximum Fork Height (MFH)	Mast Overall Lowered Height (OAL)	Freee Lift with Load Backrest	Mast Tilt Angle (F/B)	Rated Load Capacity				Total Weight with Standard Forks	
					With Standard Forks		With Sideshifter		Total Weight with Standard Forks	
					2030H/G	2035H/G	2030H/G	2035H/G	2030H/G	2035H/G
	mm	mm	mm	degree	kg @ (500mm LC)		kg @ (500mm LC)		Kg	
Standard 2-Stage	3000	2195	145	6 / 12	3000	3500	3000	3250	4480	4800
	3300	2345	145	6 / 12	3000	3250	3000	3100	4507	4827
	3500	2445	145	6 / 12	2750	3250	2750	3100	4546	4860
	4000	2745	145	6 / 6	2600	3100	2500	3000	4613	4933
	4500	2995	145	3 / 6	2400	2900	2300	2800	4697	4999
	5000	3245	145	3 / 6	2200	2700	2100	2600	4745	5065
	5500	3745	145	3 / 6	2100	2600	2000	2500	4812	5132
	6000	3995	145	3 / 6	2000	2500	1900	2400	4878	5198

Mast type	Maximum Fork Height (MFH)	Mast Overall Lowered Height (OAL)	Freee Lift with Load Backrest*	Mast Tilt Angle (F/B)	Rated Load Capacity				Total Weight with Standard Forks	
					With Standard Forks		With Sideshifter		Total Weight with Standard Forks	
					2030H/G	2035H/G	2030H/G	2035H/G	2030H/G	2035H/G
	mm	mm	mm	degree	kg @ (500mm LC)		kg @ (500mm LC)		Kg	
Full Free 2-Stage	3000	2195	1107	6 / 12	3000	3500	3000	3250	4530	4850

Mast type	Maximum Fork Height (MFH)	Mast Overall Lowered Height (OAL)	Freee Lift with Load Backrest*	Mast Tilt Angle (F/B)	Rated Load Capacity				Total Weight with Standard Forks	
					With Standard Forks		With Sideshifter		Total Weight with Standard Forks	
					2030H/G	2035H/G	2030H/G	2035H/G	2030H/G	2035H/G
	mm	mm	mm	degree	kg @ (500mm LC)		kg @ (500mm LC)		Kg	
Full Free 3-Stage	4000	2030	942	6 / 6	2600	3100	2500	3000	4736	5056
	4500	2195	1107	6 / 6	2400	2900	2300	2800	4801	5121
	4800	2265	1177	6 / 6	2350	2750	2250	2650	4830	5150
	5000	2365	1277	3 / 6	2200	2700	2100	2600	4866	5186
	6000	2915	1827	3 / 6	2000	2500	1900	2400	4996	5316
	7000	3605	2517	3 / 6	1700	2000	1500	1900	5125	5445



**Note:**  
Vertical axle stands for load capacity while horizontal axle stands for load center, Load center is the distance counted from the front of the fork. The base point of the standard load is the center point of the cubic with the same 1000mm dimension in length, width and height. The load capacity should be down if mast tilt forward or using non-standard forks of loading goods with extra width. Please realize the different load capacity between different load centers according to load chart.