



PT Thubas Liftindo Perkasa

PT Thubas Liftindo Perkasa

Head Office

Gang Wates Kp. Rawa Banteng No.102 Rt 003/01 Ds. Mekarwangi
Kec. Cikarang, Barat, Kabupaten Bekasi, Jawa Barat 17530

Branch Office

Bypass Pandaan, Jl. Raya Surabaya – Malang No.8, Sukorejo,
Karang Jati, Kec. Pandaan, Pasuruan, Jawa Timur 67156

Mobile : +62 878 4688 0298
Email : cs.thubaslifindoperkasa.com
Website : thubaslifindoperkasa.com

Engine

Fuel type

Load capacity @ 600 mm LC

Isuzu A-6BG1QC-02 / 6.49 L

Diesel

7,000 kg

CLG2070H

DIESEL LOADER C
PNEUMATIC TIRES

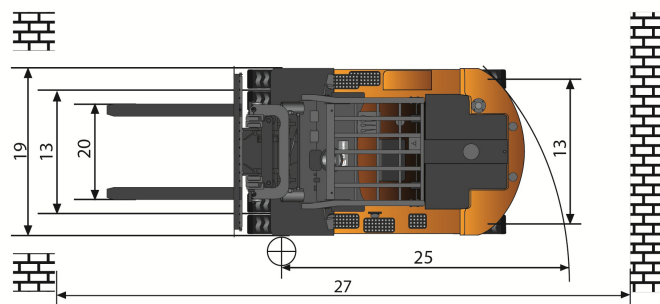
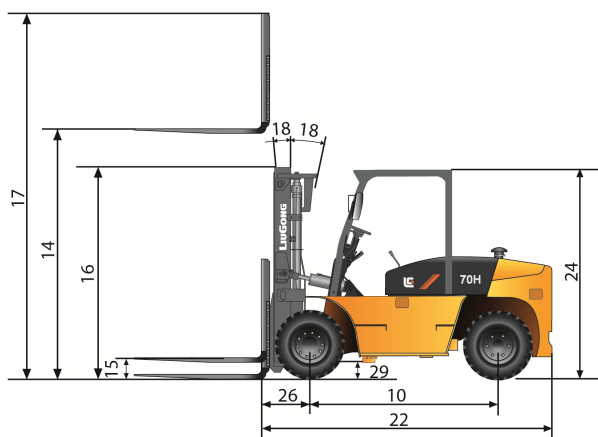
 **LIUGONG**



Tough world. Tough equipment.

CLG2070H Specifications >>>

Are common	Model	1			CLG2070H
	Fuel type	2			Diesel
	load capacity	3	With designated DH	kg	7,000
	Center of gravity	4		mm	600
Weight	Operating weight	5	without load	kg	9,300
	axle load	6	loaded front/rear	kg	14,460 / 3,800
		7	unloaded front/rear	kg	1,840 / 5,500
Tires	Tire type	8			Pneumatic
	wheels	9	front/rear		4/2
	Wheelbase	10		mm	2,250
	Tire size	12	front		8.25-15-14PR
		12	rear		8.25-15-14PR
Mast	Track width	13	front/rear		1.474 / 1.730
	Max. fork height	14	standard two-piece mast	mm	3,000
	free lift	15	standard two-piece mast	mm	210
	Height, mast down	16	standard two-piece mast	mm	2,534
	Height, mast raised	17	standard two-piece mast	mm	4,377
	mast tilt, forward/backward	18	standard two-piece mast	deg	6°/12°
	Carriage	19	width	mm	1,840
	Fork span	20	minimum/maximum	mm	300 / 1,840
	Fork dimensions	21	T x W x D	mm	65 x 150 x 1,520
	Chassis	Fork back length	22	standard two-piece mast	mm
Overall width		23		mm	2,040
Head Guard Height		24		mm	2,520
turning radius		25	minimum external	mm	3,560
Fork overhang		26	standard two-piece mast	mm	592
Min. turning aisle width		27	cargo length and stock	mm	5,170
		28	at minimum load	mm	203
Clearance		29	in the center of the wheelbase	mm	250
Performance		Travel speed	30	with/without load	km/h
	lifting speed	31	with/without load	m/s	0.44 / 0.53
	Lowering speed	32	with/without load	m/s	0.55 / 0.40
	Max. pulling force	33	loaded front/rear	kg	5,500
	max. gradeability	34	with load / without load	%	20/20
Systems	brakes	35	worker		foot/hydraulic
		36	parking lot		manual/mechanical
		37	manufacturer		Isuzu
		38	model		A-6BG1QC-02
		39	compliance with emission limit values		Euro Stage I
	Engine	40	cylinders		6
		41	engine capacity	liter	6.49
		42	power	kW/rpm	82.4 / 2,000
		Max torque	Nm/rpm	416.8 / 1,500	



guangxi liugong machinery co., ltd.

no. 1 Liutai Road, Liuzhou, Guangxi 545007, PR China

T: +86 772 3886124

E: overseas@liugong.com

www.liugong.com

06/2017 Designed by LiuGong

Specifications and designs are subject to change without notice. Machines shown may include optional equipment.