



PT Thubas Liftindo Perkasa

PT Thubas Liftindo Perkasa

Head Office

Gang Wates Kp. Rawa Banteng No.102 Rt 003/01 Ds. Mekarwangi
Kec. Cikarang, Barat, Kabupaten Bekasi, Jawa Barat 17530

Branch Office

Bypass Pandaan, Jl. Raya Surabaya - Malang No.8, Sukorejo,
Karang Jati, Kec. Pandaan, Pasuruan, Jawa Timur 67156

Mobile : +62 878 4688 0298

Email : cs.thubaslifindoperkasa.com

Website : thubaslifindoperkasa.com

Engine

Fuel type

Load capacity @ 600 mm LC

Isuzu A-6BG1QC-02 / 6.49 L

Diesel

5,000 kg

CLG2050H

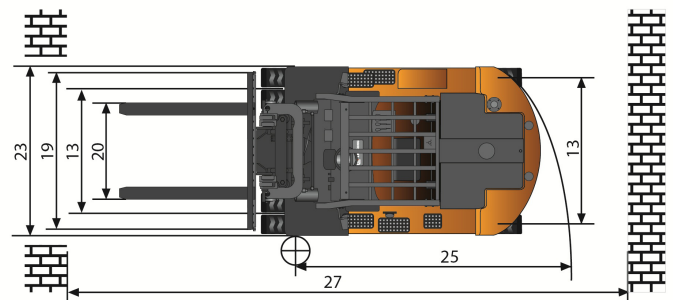
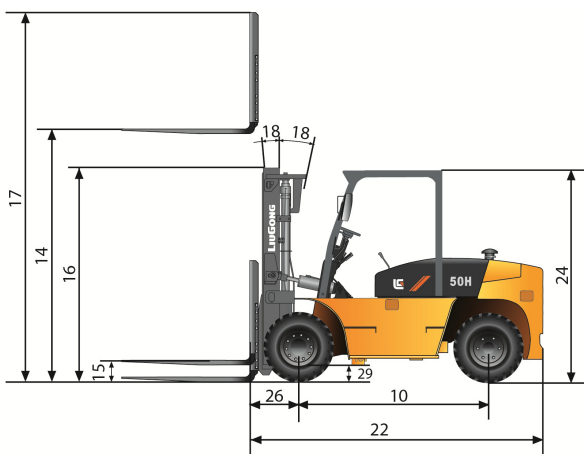
DIESEL LOADER C
PNEUMATIC TIRES



Tough world. Tough equipment.

CLG2050H Specifications >>>

Are common	Model	1			CLG2050H	
	Fuel type	2			Diesel	
	load capacity	3	With designated DH	kg	5,000	
	Center of gravity	4		mm	600	
Weight	Operating weight	5	without load	kg	8,000	
	axle load	6	loaded front/rear	kg	11,200 / 3,900	
		7	unloaded front/rear	kg	1,800 / 4,100	
Tires	Tire type	8			Pneumatic	
	wheels	9	front/rear		4/2	
	Wheelbase	10		mm	2,250	
	Tire size	11	front			8.25-15-14PR
		12	rear			8.25-15-14PR
	Track width	13	front/rear			1.474 / 1.730
Mast	Max. fork height	14	standard two-piece mast	mm	3,000	
	free lift	15	standard two-piece mast	mm	200	
	Height, mast down	16	standard two-piece mast	mm	2.534	
	Height, mast raised	17	standard two-piece mast	mm	4.377	
	mast tilt, forward/backward	18	standard two-piece mast	deg	6°/12°	
		19	width	mm	1,840	
	Fork span	20	minimum/maximum	mm	300 / 1,840	
	Fork dimensions	21	T x W x D	mm	50 x 150 x 1.520	
Chassis	Fork back length	22	standard two-piece mast	mm	3.475	
	Overall width	23		mm	2.040	
	Head Guard Height	24		mm	2.520	
	turning radius	25	minimum external	mm	3.436	
		26	standard two-piece mast	mm	577	
	Fork overhang	26	standard two-piece mast	mm	577	
	Min. turning aisle width	27	cargo length and stock	mm	4.956	
		28	at minimum load	mm	203	
Clearance	29	in the center of the wheelbase	mm	250		
	30	with/without load	km/h	23/25		
Performance	lifting speed	31	with/without load	m/s	0.48 / 0.53	
	Lowering speed	32	with/without load	m/s	0.55 / 0.40	
	Max. pulling force	33	loaded front/rear	kg	5,500	
	max. gradeability	34	with load / without load	%	28 / 20	
		35	worker		foot/hydraulic	
Systems	brakes	36	parking lot		manual/mechanical	
	manufacturer	37			Isuzu	
		38	model		A-6BG1QC-02	
	compliance with emission limit values	39			Euro Stage I	
		40	cylinders		6	
	engine capacity	41		liter	6.49	
		42	power	kW/rpm	82.4 / 2,000	
	Max torque		Nm/rpm		416.8 / 1,500	



guangxi liugong machinery co., ltd.

no. 1 Liutai Road, Liuzhou, Guangxi 545007, PR China
T: +86 772 3886124 E: overseas@liugong.com

www.liugong.com

Specifications and designs are subject to change without notice. Machines shown may include optional equipment.

06/2017 Designed by LiuGong